



RX-7

Twin - Turbo **1993 Factory Service Manual**

**A \$25 donation gets
you a complete copy
on CD-ROM!!!**

Made available to you free of charge from

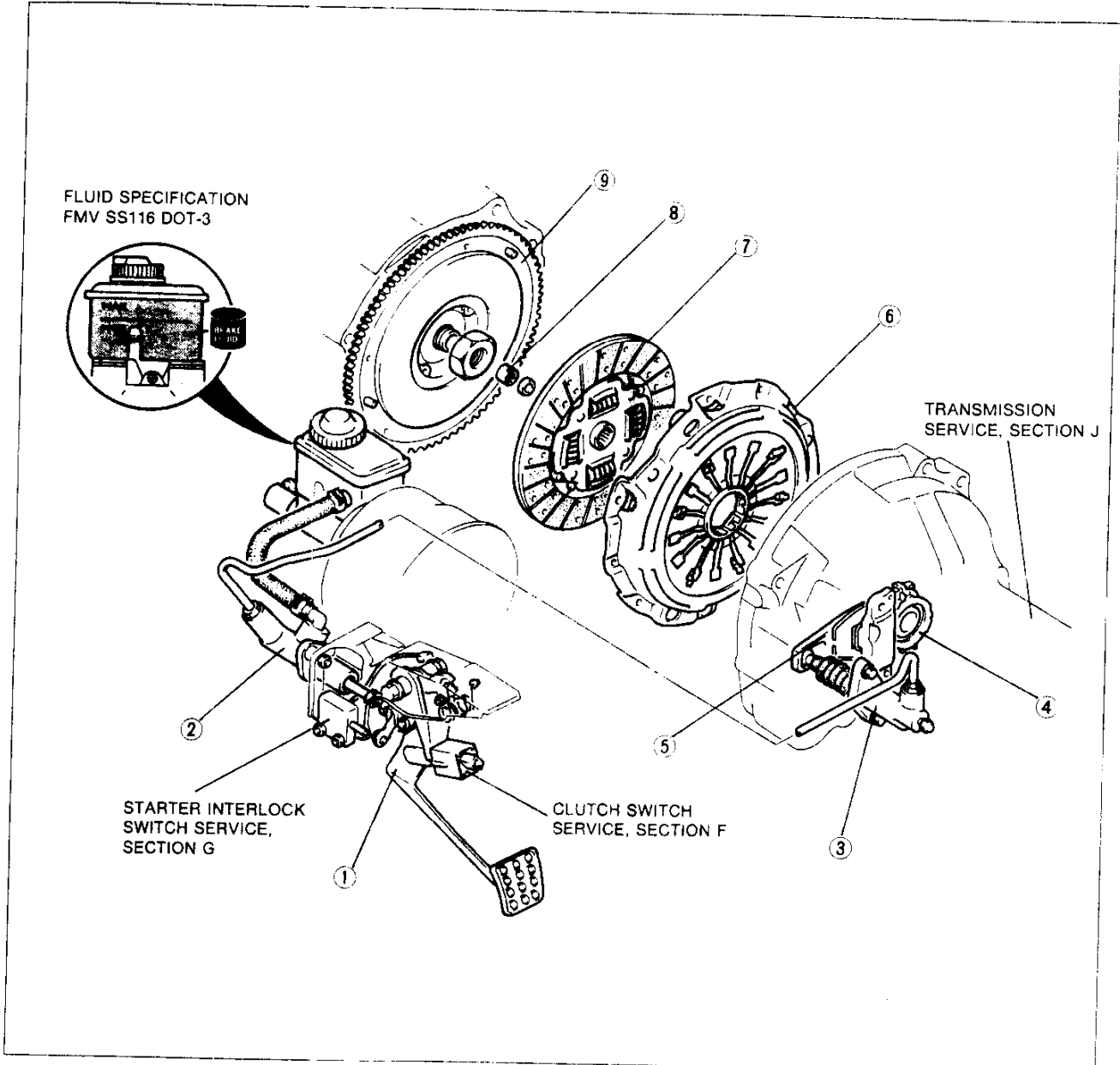
http://members.xoom.com/diepat_rx7/fsm/rx7.htm

Before beginning any service procedure, refer to the 1993 RX-7 Body Electrical Troubleshooting Manual; see section S for air bag system precautions and J1 for audio anti-theft system precautions.

CLUTCH

INDEX	H - 2
OUTLINE	H - 3
SPECIFICATIONS	H - 3
TROUBLESHOOTING GUIDE	H - 3
CLUTCH FLUID	H - 4
PREPARATION	H - 4
INSPECTION	H - 4
REPLACEMENT	H - 4
CLUTCH PEDAL	H - 6
ADJUSTMENT	H - 6
REMOVAL/INSTALLATION	H - 7
OVERHAUL	H - 8
CLUTCH MASTER CYLINDER	H - 9
PREPARATION	H - 9
REMOVAL/INSPECTION/ INSTALLATION	H - 9
AIR BLEEDING	H -11
OVERHAUL	H -12
CLUTCH RELEASE CYLINDER	H -14
PREPARATION	H -14
REMOVAL/INSPECTION/ INSTALLATION	H -14
OVERHAUL	H -15
CLUTCH UNIT	H -16
PREPARATION	H -16
REMOVAL/INSTALLATION	H -17
CLUTCH COVER	H -20
INSPECTION	H -20
CLUTCH DISC	H -21
INSPECTION	H -21
CLUTCH RELEASE FORK ASSEMBLY	H -21
INSPECTION	H -21
OVERHAUL	H -22
CLUTCH RELEASE COLLAR	H -23
INSPECTION	H -23
PILOT BEARING	H -23
INSPECTION	H -23
FLYWHEEL	H -23
INSPECTION	H -23

INDEX



37J0-HX-002

- | | | |
|---|---|--|
| <p>1. Clutch pedal
 Adjustment page H- 6
 Removal/
 Installation page H- 7
 Overhaul page H- 8</p> <p>2. Clutch master cylinder
 Removal/Inspection/
 Installation page H- 9
 Air bleeding page H-11
 Overhaul page H-12</p> <p>3. Clutch release cylinder
 Removal/Inspection/
 Installation page H-14
 Air bleeding page H-11
 Overhaul page H-15</p> | <p>4. Clutch release coil
 Removal/
 Installation page H-17
 Inspection page H-23</p> <p>5. Clutch release fork assembly
 Removal/
 Installation page H-17
 Inspection page H-21
 Overhaul page H-22</p> <p>6. Clutch cover
 Removal/
 Installation page H-17
 Inspection page H-20</p> | <p>7. Clutch disc
 Removal/
 Installation page H-17
 Inspection page H-21</p> <p>8. Pilot bearing
 Removal/
 Installation page H-17
 Inspection page H-23</p> <p>9. Flywheel
 Removal/
 Installation page H-17
 Inspection page H-23</p> |
|---|---|--|

OUTLINE

SPECIFICATIONS

Item		Transmission model		R15M-D (R5M-D)	
Clutch control				Hydraulic	
Clutch pedal	Type			Suspended	
	Pedal ratio			6.35	
	Full stroke	mm {in}		135 {5.32}	
	Height (with carpet)	mm {in}		165.5-177.0 {6.516-6.968}	
Clutch disc	Outer diameter	mm {in}		236 {9.29}	
	Inner diameter	mm {in}		160 {6.30}	
	Facing thickness	Flywheel side	mm {in}		3.5 {0.14}
		Pressure plate side	mm {in}		3.5 {0.14}
Clutch cover	Type			Diaphragm spring	
	Set load	N {kgf, lb}		7.220 {736,1619}	
Clutch master cylinder	Inner diameter	mm {in}		15.87 {0.625}	
Clutch release cylinder	Inner diameter	mm {in}		19.05 {0.750}	
Clutch fluid				FMVSS116 DOT-3	

37U0HX-003

TRUBLESHOOTING GUIDE

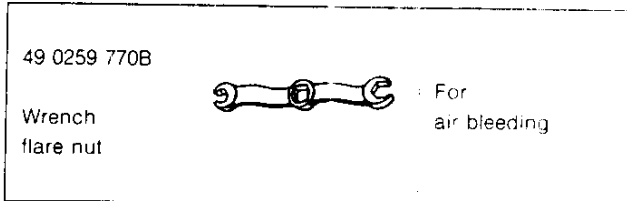
Problem	Possible Cause	Action	Page
Slipping	Clutch disc facing worn excessively	Replace	H-17
	Clutch disc facing surface hardened or oil soaked	Repair or replace	H-17
	Pressure plate damaged	Replace	H-17
	Flywheel damaged	Replace	H-17
	Diaphragm spring damaged or weak	Replace	H-17
	Insufficient clutch pedal play	Adjust	H-6
	Clutch pedal sticking	Repair or replace	H-7, 8
Faulty disengagement	Clutch disc damaged or excessive runout	Replace	H-17
	Clutch disc splines rusted or worn	Repair or replace	H-17
	Oil on clutch disc facing	Repair or replace	H-17
	Diaphragm spring damaged or weak	Replace	H-17
	Excessive clutch pedal play	Adjust	H-6
	Leakage of clutch fluid	Locate and repair or replace	-
Clutch vibrates when accelerating	Oil on clutch disc facing	Repair or replace	H-17
	Clutch disc facing hardened or damaged	Repair or replace	H-17
	Diaphragm spring weak	Replace	H-17
	Clutch disc facing rivets loose	Replace	H-17
	Pressure plate damaged or excessive runout	Replace	H-17
	Flywheel surface hardened or damaged	Repair or replace	H-17
	Loose or worn engine mount	Tighten or replace	-
Clutch pedal sticks	Pedal shaft not properly lubricated	Lubricate or replace	H-8
Abnormal noise	Clutch release collar damaged	Replace	H-17
	Release collar not properly lubricated	Lubricate or replace	H-17
	Torsion spring weak	Replace	H-17
	Pilot bearing worn or damaged	Replace	H-17
	Worn pivot points of release fork	Repair or replace	H-17
	Release fork contact points not properly lubricated	Lubricate or replace	H-17
Clutch pedal vibrates when engine running	Improper installation of or damage to wedge collar and wire ring assembly	Replace	H-17

37U0HX-004

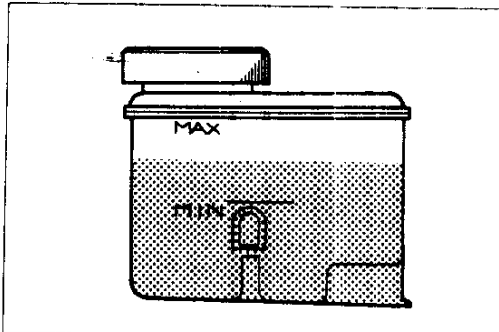
CLUTCH FLUID

PREPARATION

SST



37U0HX-005



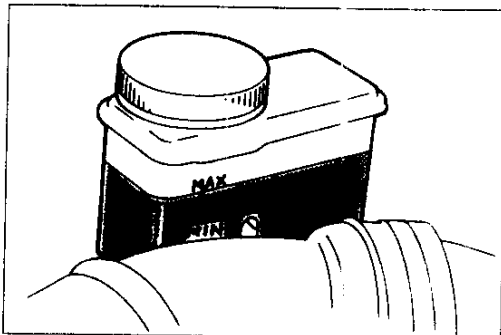
37U0HX-006

INSPECTION

Note

- A common reservoir is used for the clutch and brake system fluids.

1. Make sure that the fluid level in the reservoir is between the MAX and MIN mark.
2. If the fluid level is extremely low, check the clutch and brake systems for leakage.

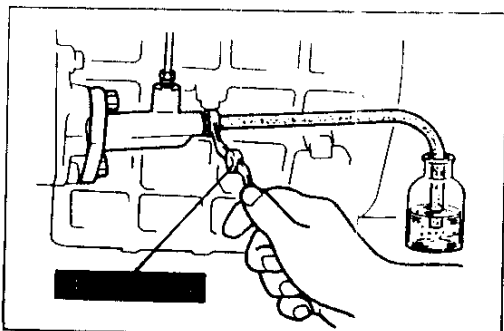


37U0HX-007

REPLACEMENT

Caution

- Be careful not to spill fluid on a painted surface. If this should happen, wash the surface off immediately.
- Use only the specified fluid. Avoid mixing different brands of fluid.
- Do not reuse old clutch fluid.
- The clutch and brakes draw fluid from the same reservoir; therefore draining the clutch fluid also drains the brake fluid from the reservoir.



37U0HX-009

1. Drain the brake fluid from the reservoir by using a suction pump. (Refer to section P.)
2. Remove the bleeder cap from the clutch release cylinder and attach a vinyl hose to the bleeder plug.
3. Insert the other end of the vinyl hose into a clear container.
4. Loosen the bleeder screw by using the **SST**.
5. With another person slowly pumping the clutch pedal, drain the clutch fluid.
6. Repeat step 5 until all the fluid is drained.

7. Tighten the bleeder screw by using the **SST**.

Caution

- When tightening the bleeder screw with the SST, adjust the below-written tightening torque by using the following formulas. Choose the formula that applies to you.

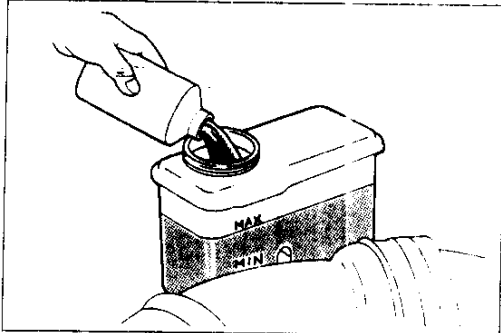
(L = torque wrench length)

N·m	$N \cdot m \times L \text{ m} \div (L \text{ m} + 0.05)$
kgf·cm	$\text{kgf} \cdot \text{cm} \times L \text{ cm} \div (L \text{ cm} + 5.0)$
in·lbf	$\text{in} \cdot \text{lbf} \times L \text{ in} \div (L \text{ in} + 2.0)$

Tightening torque:

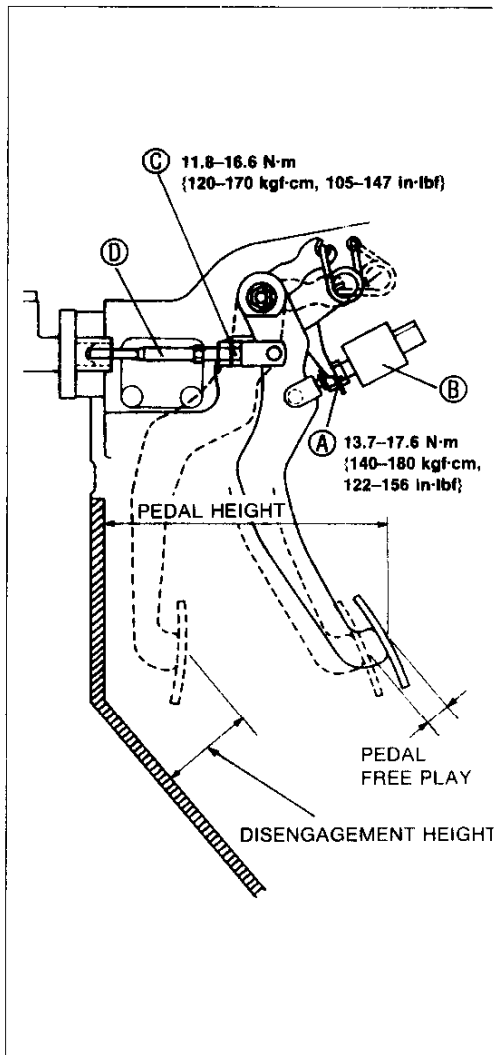
5.9–8.8 N·m {60–90 kgf·cm, 53–78 in·lbf}

8. Add fluid to the MAX mark.
9. Bleed the air from the clutch. (Refer to page H-11.)
10. Bleed the air from the brakes. (Refer to section P.)
11. Check for correct clutch operation.
12. Verify that there is no fluid leakage.



37J0HX 010





CLUTCH PEDAL

ADJUSTMENT

Clutch Pedal Height Inspection

Measure the distance from the upper surface of the pedal to the carpet.

**Pedal height: 165.5–177.0 mm {6.516–6.968 in}
(with carpet)**

If necessary, adjust the pedal height.

Adjustment

1. Disconnect the clutch switch connector.
2. Loosen locknut A and turn clutch switch B until the pedal height is correct.
3. Tighten locknut A.

Tightening torque:

13.8–17.6 N·m {140–180 kgf·cm 122–156 in·lbf}

4. After adjustment, inspect the pedal free play.

Clutch Pedal Free Play Inspection

Depress the clutch pedal by hand until clutch resistance is felt.

**Pedal free play: 0.6–3.2 mm {0.02–0.13 in}
Total pedal free play: 5.1–14 mm {0.20–0.55 in}**

If necessary, adjust the pedal free play.

Adjustment

1. Loosen locknut C and turn push rod D until pedal free play is correct.
2. Verify that the disengagement height from the upper surface of the pedal height to the carpet is correct when the pedal is fully depressed.

**Minimum disengagement height: 48 mm {1.9 in}
(with carpet)**

3. Tighten locknut C.

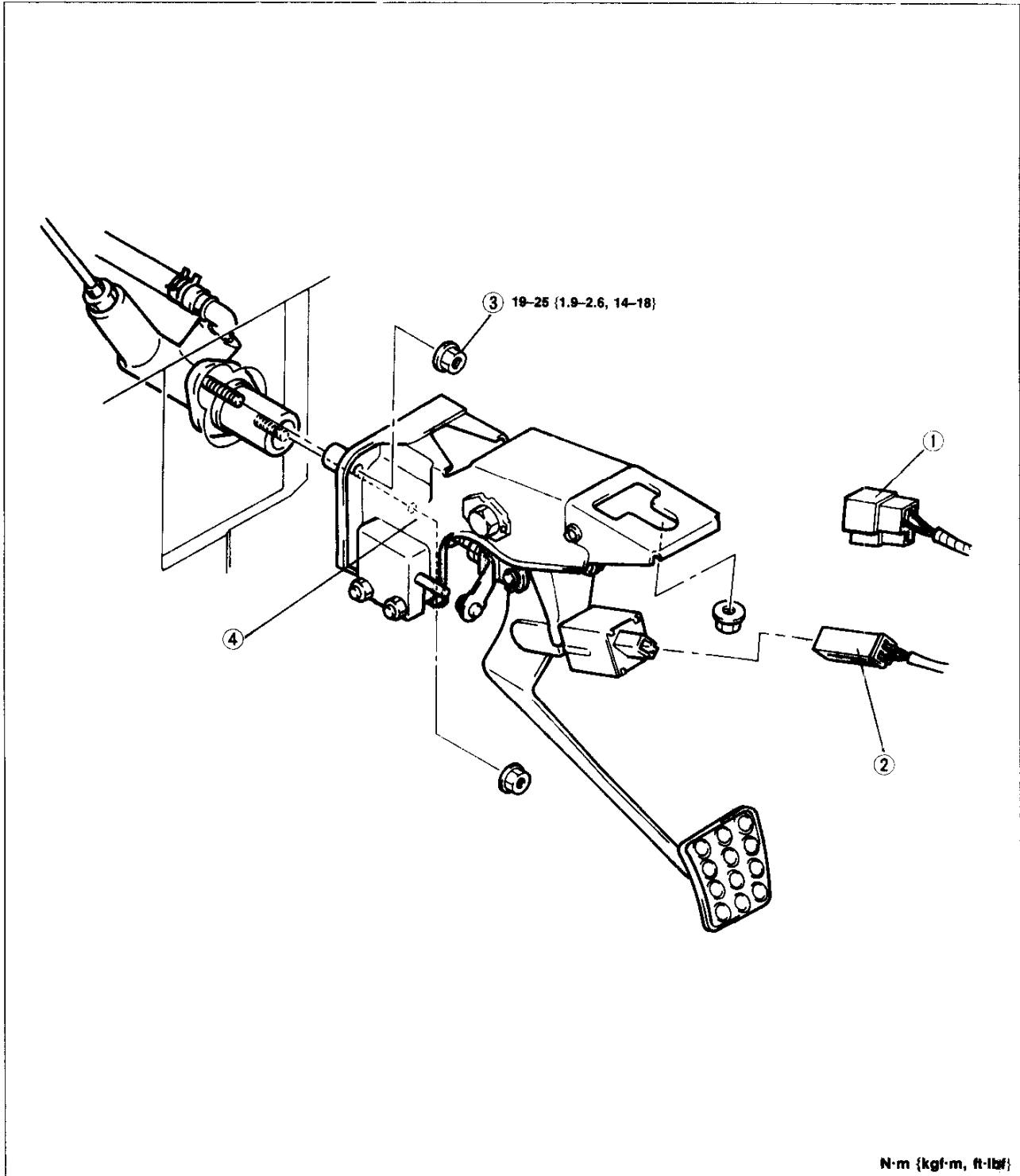
Tightening torque:

11.8–16.6 N·m {120–170 kgf·cm, 105–147 in·lbf}

4. After adjustment, inspect the pedal height.

REMOVAL / INSTALLATION

1. Remove in the order shown in the figure.
2. Install in the reverse order of removal.



N·m {kgf·m, ft·lbf}

37U0HX-012

1. Starter interlock switch connector
2. Clutch switch connector

3. Nut

4. Clutch pedal assembly
Adjustment page H-6
Overhaul page H-8

H

CLUTCH PEDAL

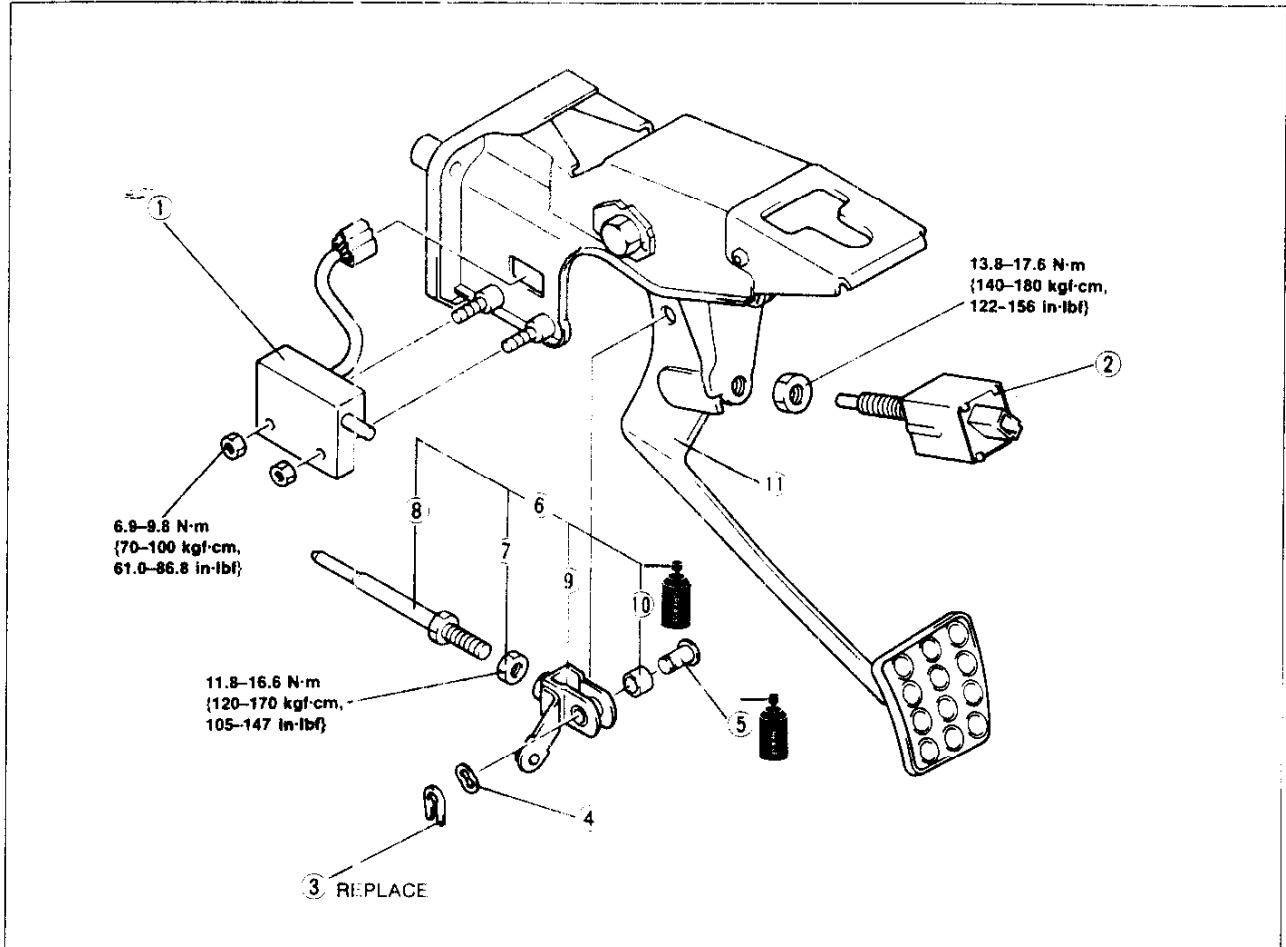
OVERHAUL

1. Disassemble in the order shown in the figure.
2. Inspect all parts and repair or replace as necessary.

Note

- Apply lithium-based grease to the spring, bushings, and pins when assembling.

3. Assemble in the reverse order of disassembly, referring to **Assembly Note**.



1. Starter interlock switch
2. Clutch switch
3. Retaining ring
4. Wave washer


5. Pin
6. Push rod assembly
Inspect for damage and bending.
7. Nut

8. Push rod
9. Fork
10. Spacer
11. Clutch pedal assembly

CLUTCH MASTER CYLINDER

PREPARATION

SST

49 0259 770B		For disconnecting and connecting clutch pipe
--------------	---	--

37U0HX-014

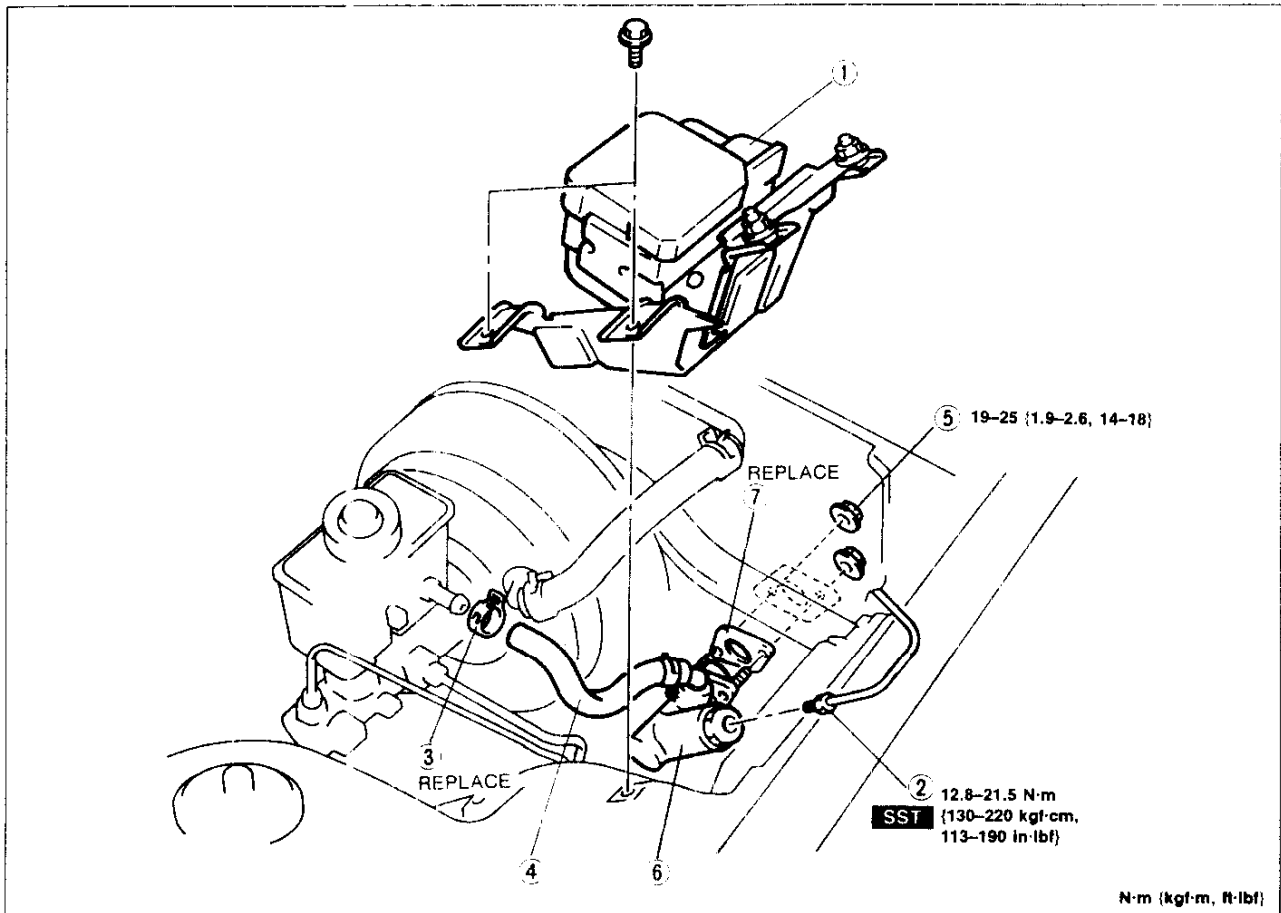
REMOVAL / INSPECTION / INSTALLATION

Caution

- Clutch fluid will damage painted surfaces. Be sure to use a container or rags to collect it. If fluid gets on a painted surface, wipe it off immediately with a rag.

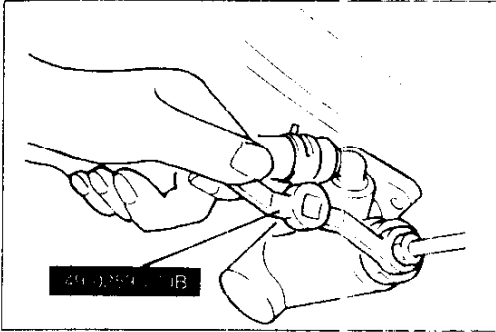
1. Remove in the order shown in the figure, referring to **Removal Note**.
2. Inspect all parts and repair or replace as necessary
3. Install in the reverse order of removal, referring to **Installation Note**.

H



37U0HX-015

- | | | |
|--|---|--|
| <ol style="list-style-type: none"> 1. Cruise control actuator assembly
Removal Note page H-10
Installation Note page H-10 | <ol style="list-style-type: none"> 3. Hose clamp 4. Clutch hose
Installation Note page H-10 5. Nut | <ol style="list-style-type: none"> 6. Clutch master cylinder
Overhaul page H-12
Inspect for fluid leakage from the cylinder bore
Air bleeding page H-11 7. Gasket |
|--|---|--|



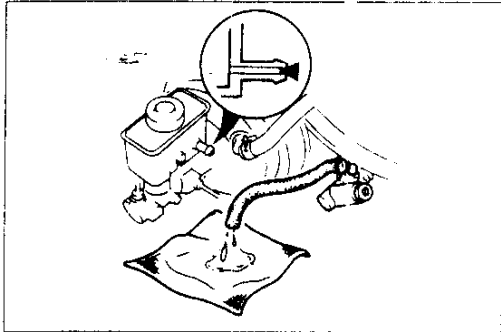
37U0HX-016

Removal Note Clutch pipe

Caution

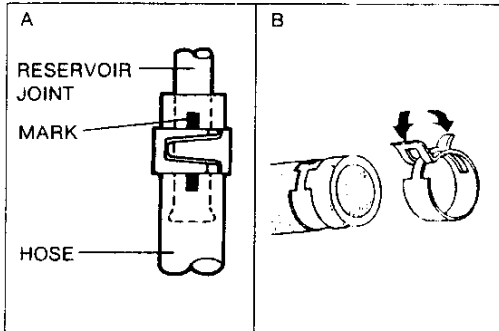
- Clutch fluid will damage painted surfaces. If fluid does get on a painted surface, wipe it off immediately with a rag.

1. Disconnect the clutch pipe by using the **SST**



37J00X-017

2. Disconnect the clutch hose from the reservoir.
3. Plug the outlet of the reservoir.



37U0HX-018

Installation Note Clutch hose

Caution

- Install the clutch hose with the mark facing upward, as shown in figure A.
- If reusing the clutch hose, install the new hose clamp exactly into the mark left by the previous hose clamp, as shown in figure B.
- Squeeze the clamp lightly with large pliers to ensure a good fit.

Clutch pipe

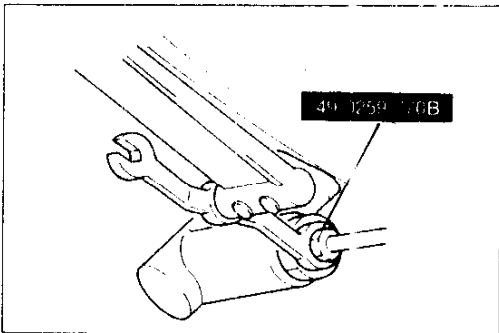
Tighten the clutch pipe by using the **SST**.

Caution

- Before tightening the clutch pipe with the **SST**, refer to the formulas on page H-5 to calculate the required torque.

Tightening torque:

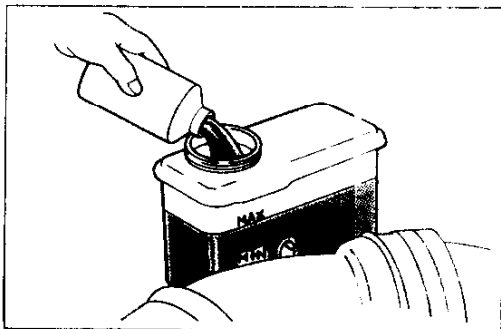
12.8–21.5 N·m {130–220 kgf·cm, 113–190 in·lbf}



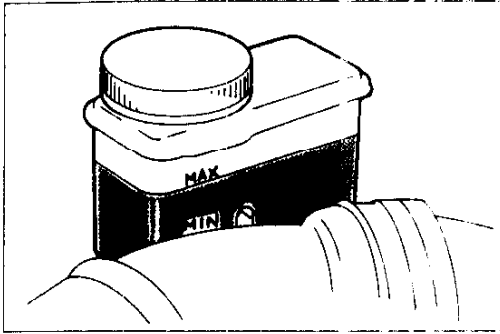
37U0HX-019

After-installation Procedure

1. Bleed the clutch system. (Refer to page H-11.)
2. Add fluid to the reservoir MAX mark.
3. Inspect and adjust the clutch pedal height and free play. (Refer to page H-6.)



37U0HX-020



37U0HX-022

AIR BLEEDING

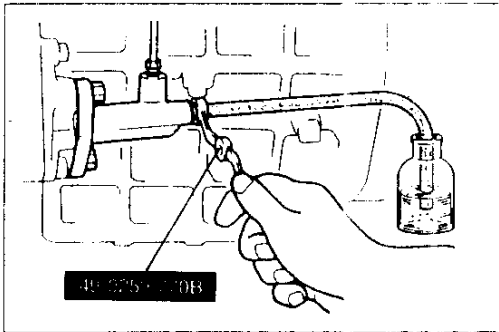
The clutch hydraulic system must be bled to remove air introduced whenever a hydraulic line is disconnected.

Note

- The fluid in the reservoir must be maintained at the 3/4 level or higher during air bleeding.

Caution

- Be careful not to spill fluid on a painted surface. If this should happen, wash the surface off immediately.
- Use only the specified fluid. Avoid mixing different brands of fluid.
- Do not reuse clutch fluid.



37U0HX-022

- 1 Remove the bleeder cap from the clutch release cylinder and attach a vinyl hose to the bleeder plug.
- 2 Insert the other end of the vinyl hose in a fluid-filled clear container.
- 3 With another person slowly pumping the clutch pedal, use the **SST** to loosen the bleeder screw to let fluid and air escape. Close the bleeder screw.
- 4 Repeat step 3 until no air bubbles are seen in the fluid.

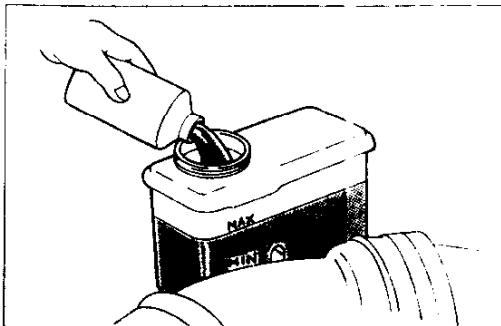
Caution

- Before tightening the bleeder screw with the **SST**, refer to the formulas on page H-5 to calculate the required torque.

- 5 Tighten the bleeder screw by using the **SST**.

Tightening torque:

5.9–8.8 N·m {60–90 kgf·cm, 53–78 in·lbf}



37U0HX-023

- 6 Add fluid to the MAX mark.
- 7 Check for correct clutch operation.
- 8 Verify that there is no fluid leakage.
- 9 Verify that the brakes function properly. (Refer to section P.)

H

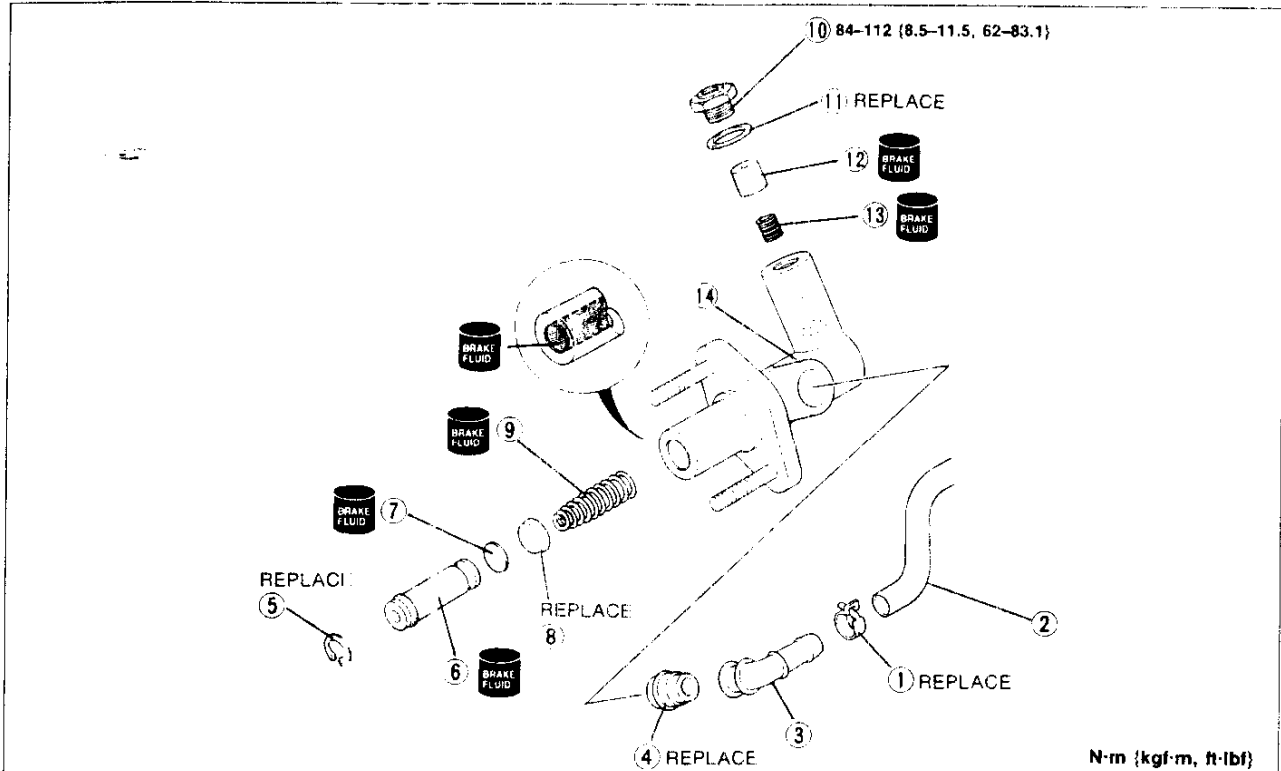
CLUTCH MASTER CYLINDER

OVERHAUL

Caution

- Clean the disassembled parts in solvent and blow through all ports and passages with compressed air. Before assembling, coat the piston secondary cup and the cylinder bore with clean fluid, and make sure there are no dust or particles in or on any of the parts.

1. Disassemble in the order shown in the figure, referring to **Disassembly Note**.
2. Inspect all parts and repair or replace as necessary.
3. Assemble in the reverse order of disassembly, referring to **Assembly Note**.



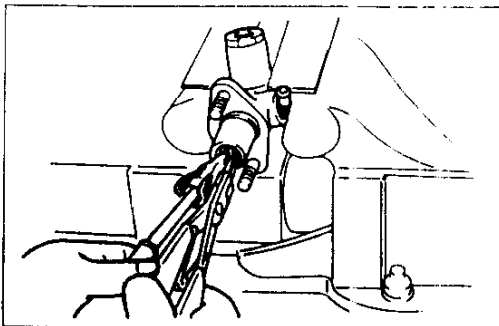
37U0HX-024

1. Hose clamp
2. Clutch hose
3. Joint
4. Bushing
5. Snap ring

Disassembly Note below
Assembly Note page H-13

6. Piston and secondary cup assembly
Disassembly Note page H-13
Inspect for wear, scoring, and cracks
Assembly Note page H-13
7. Spacer

8. Primary cup
Inspect for wear and cracks
9. Return spring
10. Joint bolt
11. Packing
Disassembly Note page H-13
12. One-way valve piston
Disassembly Note page H-13
13. Return spring
14. Master cylinder body
Inspect for scoring and corrosion.
Replace master cylinder assembly if any
scoring or corrosion is found.

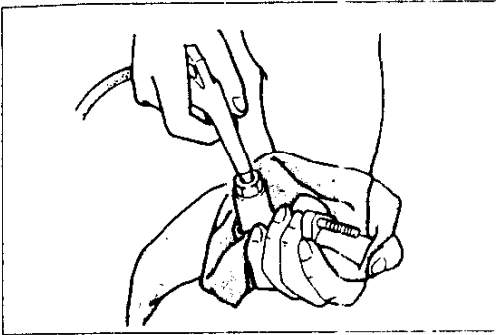


Disassembly Note Snap ring

Caution

- Do not damage the push rod contact surface of the piston.

Press down on the piston by using a cloth-wrapped Phillips screwdriver, and remove the snap ring.

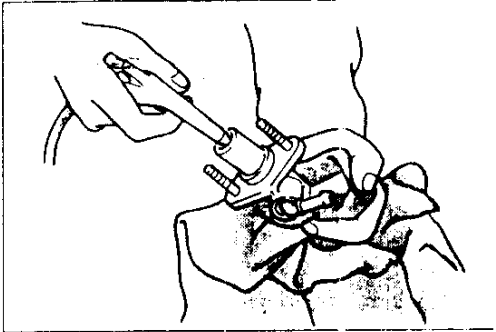


37U0HX-024

Piston and secondary cup assembly**Caution**

- Hold a rag over the master cylinder to prevent the piston and secondary cup assembly from jumping out.

Remove the piston and secondary cup assembly, spacer, primary cup, and the return spring by applying compressed air through the clutch pipe installation hole.



37U0HX-025

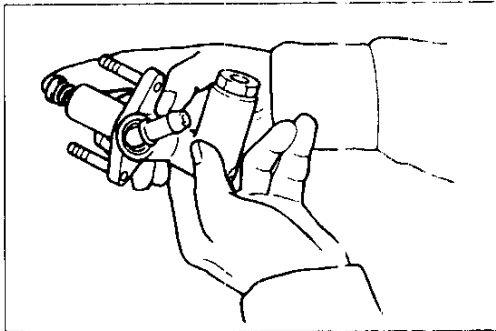
One-way valve piston**Caution**

- Hold a rag over the master cylinder to prevent the piston and spring from jumping out.

Remove the piston by applying compressed air through the cylinder bore.

Assembly Note**Caution**

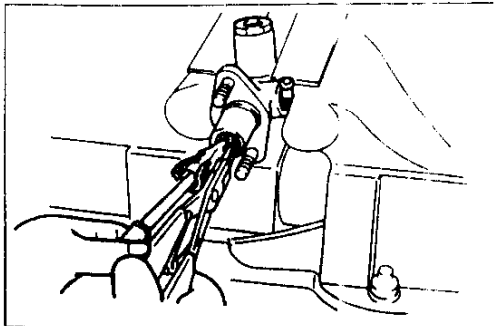
- Before assembly, make sure all parts are completely clean.
- Use only the specified clutch fluid. Avoid mixing different brands of clutch fluid.
- Do not reuse clutch fluid.
- Apply the specified clutch fluid to the piston and secondary cup assembly, spacer, primary cup, and cylinder bore before assembly.
- Replace parts with new ones whenever specified.



37U0HX-027

Piston and secondary cup assembly

Install the spring, primary cup, spacer, and piston and secondary cup assembly, noting the proper direction of the parts.



37U0HX-028

Snap ring**Caution**

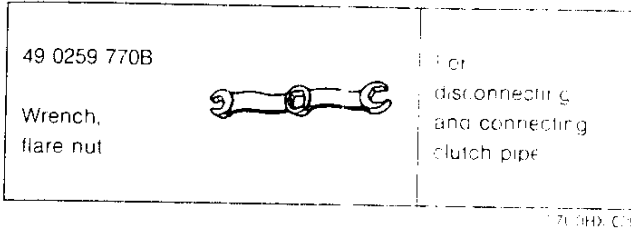
- Do not damage the pushrod contact surface of the piston.

Press down on the piston with a cloth-wrapped Phillips screwdriver, and install the snap ring.

CLUTCH RELEASE CYLINDER

PREPARATION

SST



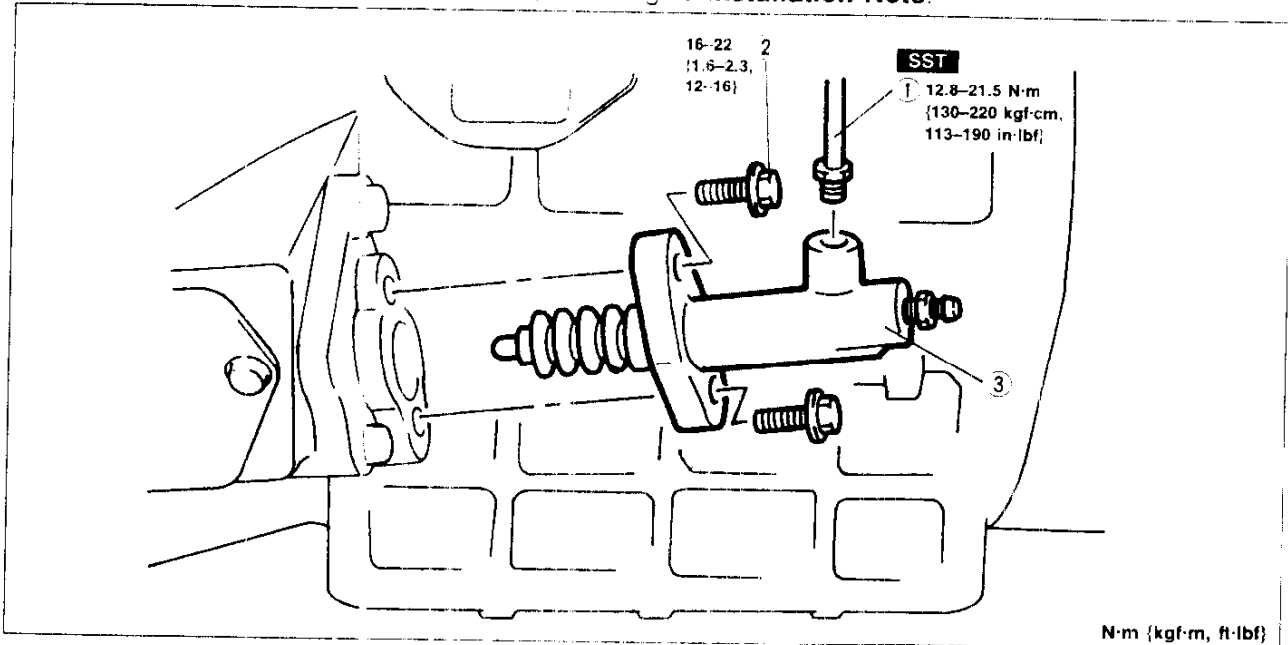
7U0HX-019

REMOVAL / INSPECTION / INSTALLATION

Caution

- Clutch fluid will damage painted surfaces. If fluid does get on a painted surface, wipe it off immediately with a rag.

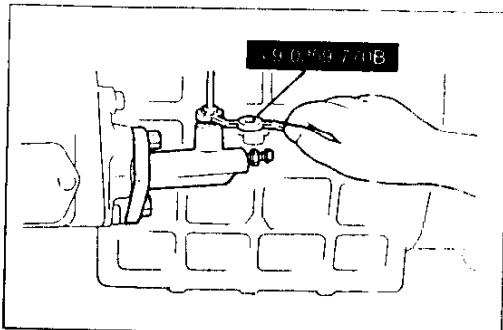
1. Remove in the order shown in the figure, referring to **Removal Note**.
2. Inspect all parts and repair or replace as necessary.
3. Install in the reverse order of removal, referring to **Installation Note**.



N·m (kgf·m, ft·lbf)

17 J0-HX-030

- | | |
|--|--|
| <p>1. Clutch pipe
Removal Note below
Installation Note page H-15</p> | <p>2. Bolt
3. Clutch release cylinder
Remove boot and check for fluid leakage
Overhaul page H-15</p> |
|--|--|



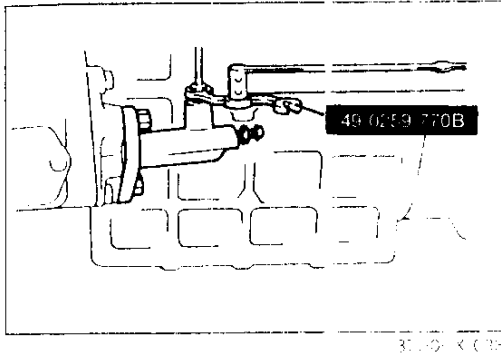
37U0HX-031

Removal Note Clutch pipe

Caution

- Plug the clutch pipe after removing, to avoid fluid leakage.

Disconnect the clutch pipe from the clutch release cylinder by using the **SST**.



Installation Note Clutch pipe

Caution

- Before tightening the clutch pipe with the SST, refer to the formulas on page H-5 to calculate the required torque.

Tighten the clutch pipe onto the clutch release cylinder.

Tightening torque:

12.8–21.5 N·m {130–220 kgf·cm, 113–190 in·lbf}

Air Bleeding

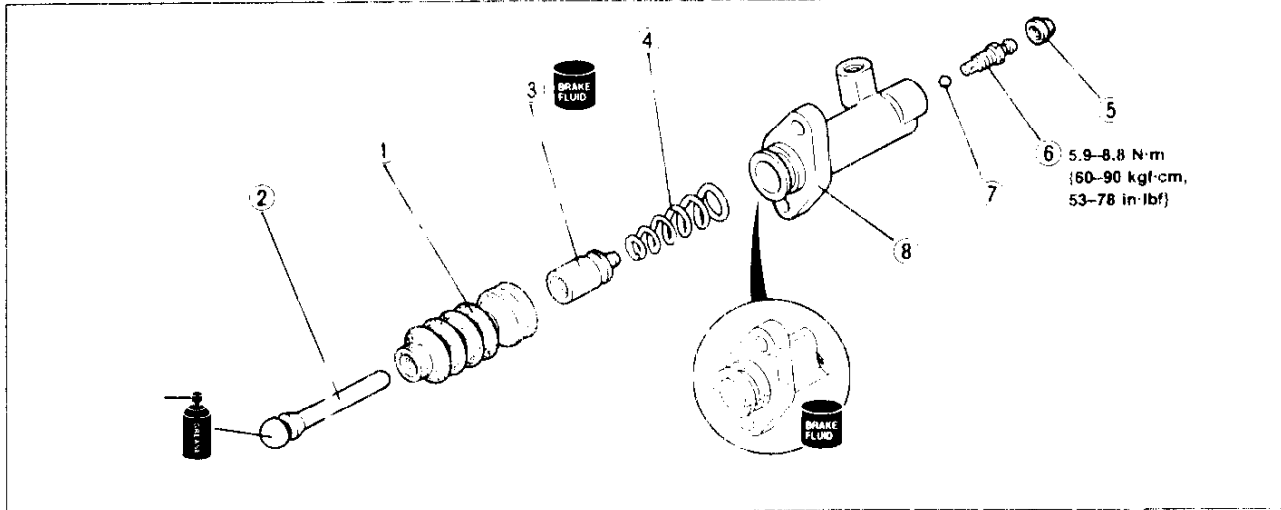
After installation, bleed the clutch system.
(Refer to page H-11.)

OVERHAUL

Caution

- Clean the disassembled parts in solvent and blow through all ports and passages with compressed air.
- Before assembly, make sure all parts are completely clean.
- Apply the specified clutch fluid to the piston and cup assembly and cylinder bore before assembly.

1. Disassemble in the order shown in the figure, referring to **Disassembly Note**.
2. Inspect all parts and repair or replace as necessary.
3. Assemble in the reverse order of disassembly.

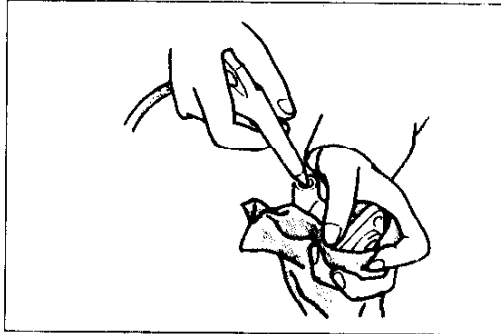


1. Boot
2. Push rod
3. Piston and cup assembly
Disassembly Note page H-16
Inspect for wear, scoring and cracks
4. Return spring

5. Bleeder cap
6. Bleeder screw
5.9–8.8 N·m
(60–90 kgf·cm,
53–78 in·lbf)
7. Steel ball
8. Release cylinder body
Inspect cylinder bore for scoring and corrosion
Replace cylinder assembly if any is found

H

CLUTCH RELEASE CYLINDER, CLUTCH UNIT



37U0HX-035

Disassembly Note Piston and cup assembly

Caution

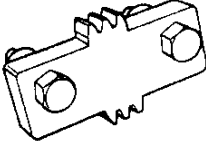
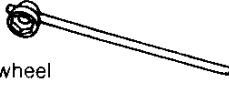
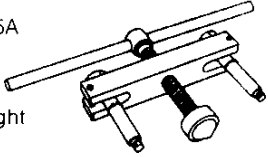
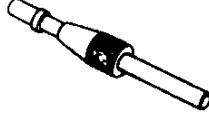


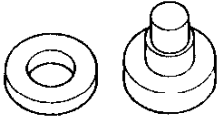


- Hold a rag over the release cylinder to prevent the piston and cup assembly from jumping out.

Remove the piston and cup assembly by applying compressed air through the clutch pipe installation hole.

CLUTCH UNIT

PREPARATION

SST

<p>49 F011 101 Brake, ring gear</p> 	<p>For prevention of engine rotation</p>	<p>49 0820 035 Box wrench, flywheel</p> 	<p>For removal and installation of flywheel</p>
<p>49 0839 305A Puller, counterweight</p> 	<p>For removal of flywheel</p>	<p>49 SE01 310A Clutch disc centering tool</p> 	<p>For support of clutch disc</p>
<p>49 1285 071 Puller, bearing</p> 	<p>For removal of pilot bearing and oil seal</p>	<p>49 1285 073 Chuck (Part of 49 1285 071)</p> 	<p>For removal of pilot bearing and oil seal</p>
<p>49 F011 1A1 Installer set, bearing</p> 	<p>For installation of pilot bearing and oil seal</p>	<p>49 G030 795 Installer, oil seal</p> 	<p>For installation of pilot bearing and oil seal</p>
<p>49 G030 797 Handle (Part of 49 G030 795)</p> 	<p>For installation of pilot bearing and oil seal</p>		

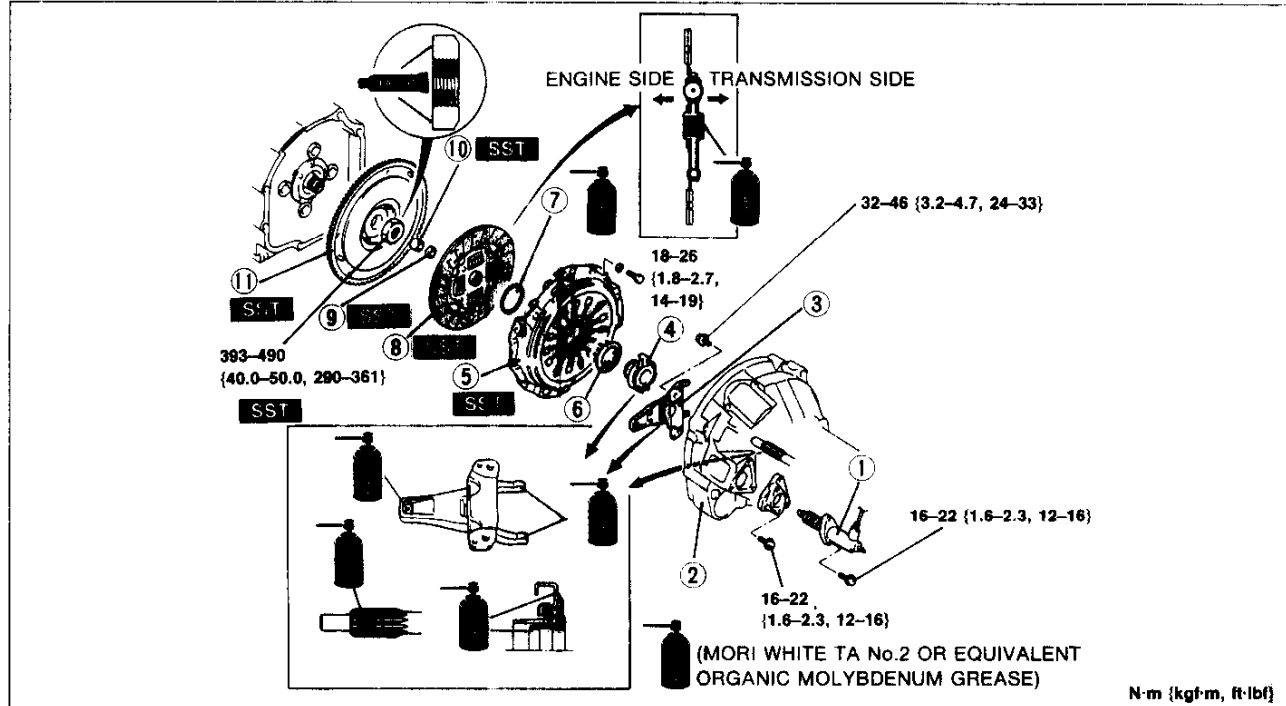
37U0HX-036

REMOVAL / INSTALLATION

Note

- Remove the clutch release cylinder with the clutch pipe connected.
- Do not remove the pilot bearing unless necessary.

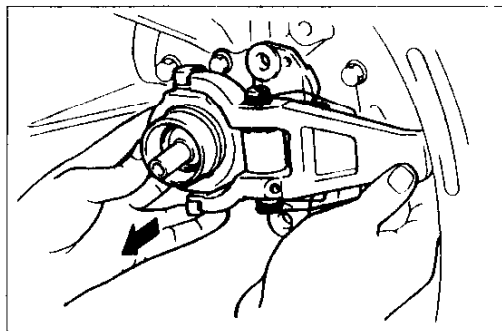
1. Remove in the order shown in the figure, referring to **Removal Note**.
2. Install in the reverse order of removal, referring to **Installation Note**.



1. Clutch release cylinder
2. Transmission
Service section J
3. Clutch release fork assembly
Removal Note below
Inspection page H-21
Overhaul page H-22
4. Clutch release collar
Removal Note below
Inspection page H-23
5. Clutch cover
Removal Note
..... page H-18
Inspection page H-20
Installation Note
..... page H-20

6. Wedge collar
Removal Note
..... page H-18
Installation Note
..... page H-19
7. Wire ring
8. Clutch disc
Removal Note
..... page H-18
Inspection page H-21
Installation Note
..... page H-20
9. Oil seal
Removal Note
..... page H-18
Installation Note
..... page H-19

10. Pilot bearing
Removal Note
..... page H-18
Inspection page H-23
Installation Note
..... page H-19
11. Flywheel
Removal Note
..... page H-18
Inspection page H-23
Installation Note
..... page H-19



Removal Note

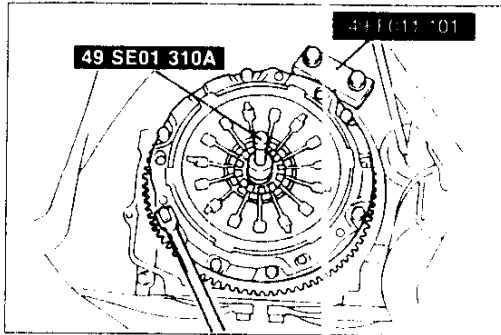
Clutch release fork assembly and clutch release collar

1. Remove the release fork assembly bolts.
2. Remove the release fork assembly and release collar together as shown in the figure.

37U0HX 03

37U0HX-0-8

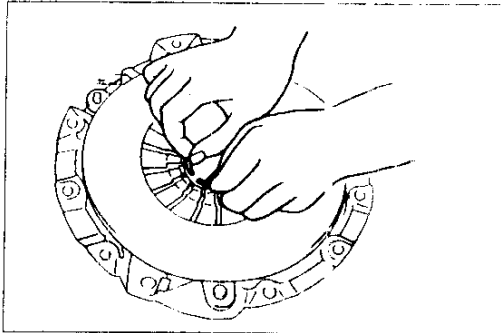
CLUTCH UNIT



37-00-K-03E

Clutch cover and disc

1. Install the **SST**.
2. Loosen each bolt one turn each in a crisscross pattern until spring tension is released.
3. Remove the clutch cover and disc.



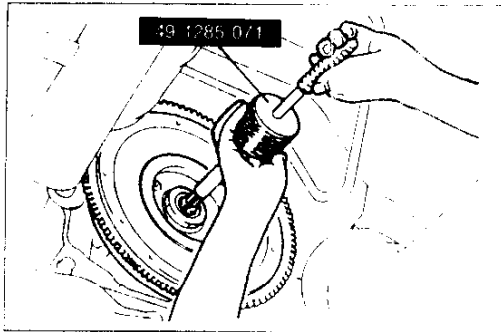
37-00-K-03F

Wedge collar

Caution

- Do not reuse the wire ring or the wedge collar.

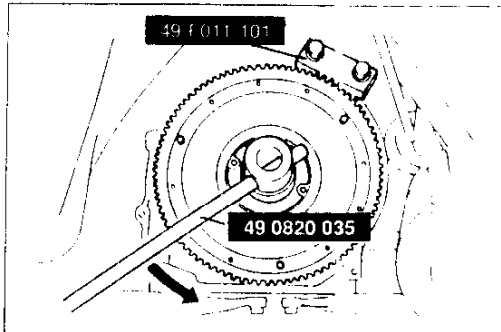
1. Remove the wire ring from the wedge collar.
2. Remove the wedge collar from the clutch cover.



37-00-K-03G

Oil seal and pilot bearing

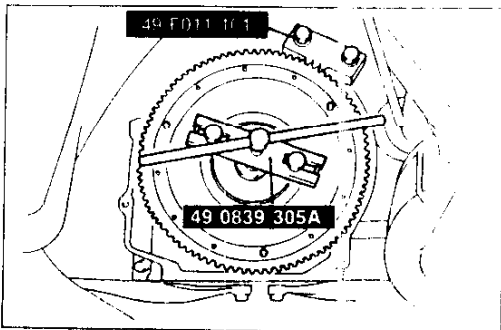
Remove the pilot bearing together with the oil seal by using the **SST**.



37-00-K-03H

Flywheel

1. Hold the flywheel by using the **SST**.
2. Remove the locknut by using the **SST**.

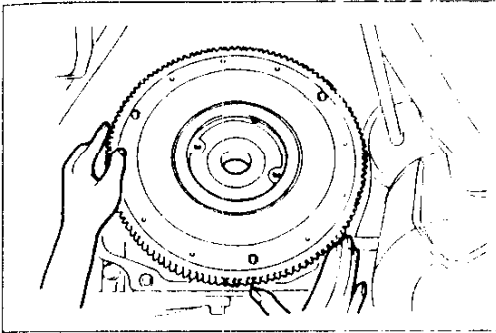


37-00-K-04

Note

- After removing the flywheel, inspect for oil leakage past the crankshaft rear oil seal.
- If necessary, replace the oil seal. (Refer to section C.)

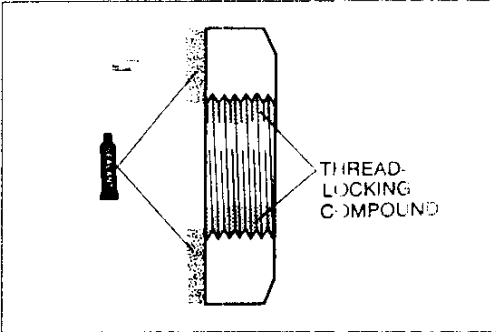
3. Remove the flywheel by using the **SST**.
4. Remove the key from the eccentric shaft.



37UHX 044

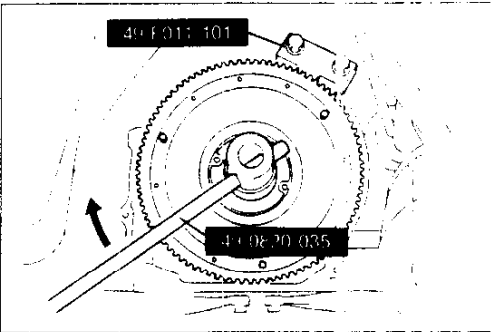
Installation Note Flywheel

1. Set the key in the eccentric shaft.
2. Align the groove with the eccentric shaft key and slide the flywheel into place.



37UHX 044

3. Apply a small amount of sealant and thread-locking compound to the flywheel locknut as shown.

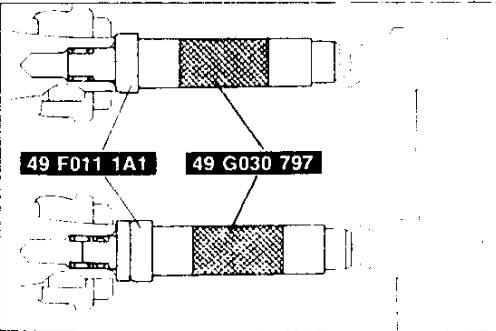


37UHX 044

4. Install the **SST** to the flywheel.
5. Tighten the locknut by using the **SST**.

Tightening torque:

393–490 N·m {40.0–50.0 kgf·m, 290–361 ft·lbf}



37UHX 044

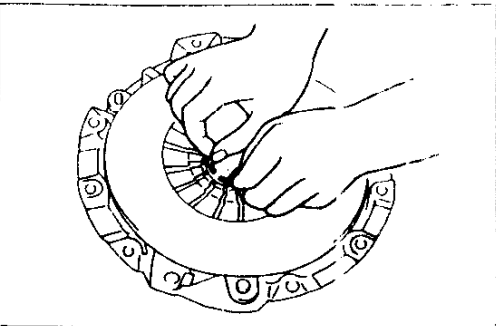
Pilot bearing and oil seal

1. Install the new bearing by using the **SST**.

Bearing outer diameter: 20 mm {0.79 in}

Insertion depth: 11.5–12.3 mm {0.453–0.482 in}

2. Install the new oil seal by using the **SST**.



37UHX 047

Wedge collar

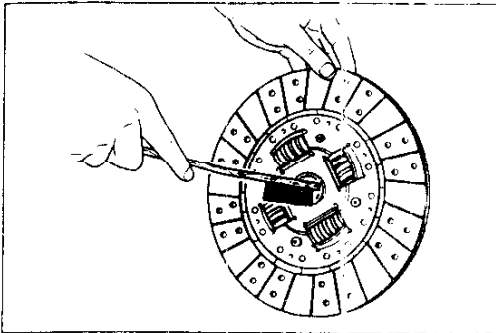
Caution

- Do not deform the wedge collar or wire ring when installing.

1. Install a new wedge collar to the clutch cover.
2. Apply a small amount of grease to a new wire ring and install into exact position.

H

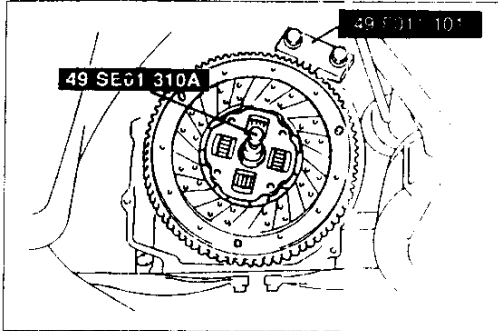
CLUTCH UNIT, CLUTCH COVER



37U JHX-049

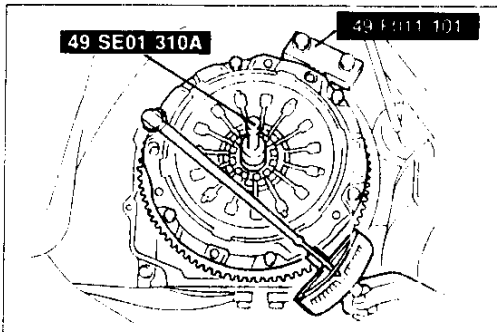
Clutch disc

- 1 Clean the clutch disc splines and main drive gear splines. Apply molybdenum sulfide grease to the splines.



37U JHX-050

- 2 Hold the flywheel by using the **SST**.
- 3 Hold the clutch disc in position by using the **SST**.



37U JHX-051

Clutch cover

Caution

- Do not damage the wedge collar when installing the clutch cover.

- 1 Align the dowel holes with the flywheel dowels and set the clutch cover in place.
- 2 Tighten the bolts evenly and gradually in a crisscross pattern, while securing the flywheel by using the **SST**.

Tightening torque:

18–26 N·m {1.8–2.7 kgf·m, 14–19 ft·lbf}

CLUTCH COVER

INSPECTION

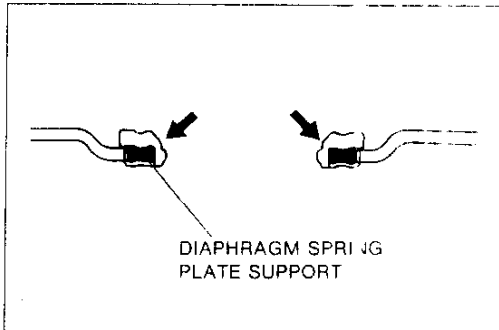
Caution

- Inspect for wear and damage, and replace if necessary.

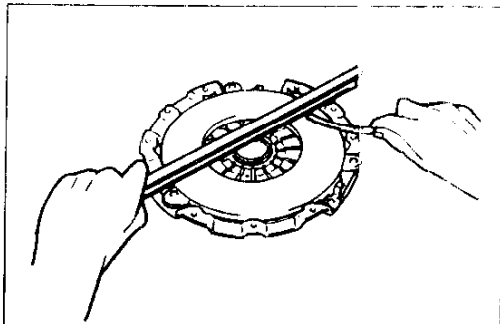
- 1 Inspect for wear or damage to the wire ring contact surface of the diaphragm spring plate.
- 2 Inspect for loosening of the diaphragm spring plate support.
- 3 Measure the flatness of the pressure plate/clutch disc contact surface in a crisscross pattern with a straight-edge and a feeler gauge.

Maximum: 0.20 mm {0.008 in}

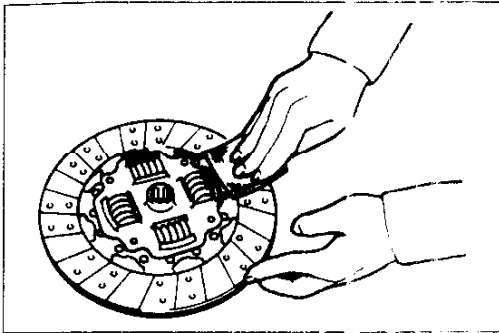
- 4 Check for discoloration of the pressure plate/clutch disc contact surface.



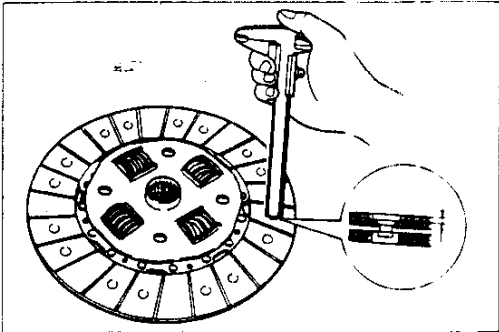
37U JHX-052



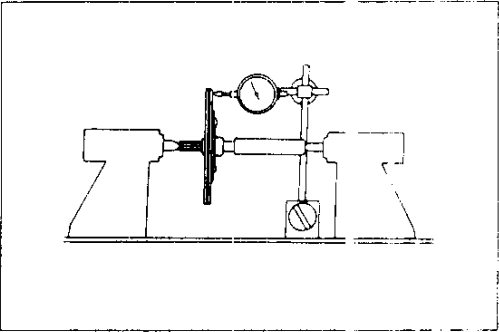
37U JHX-053



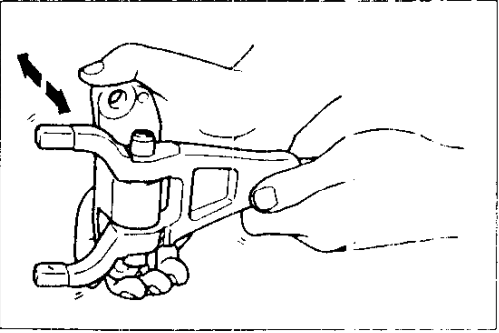
3710-X-53



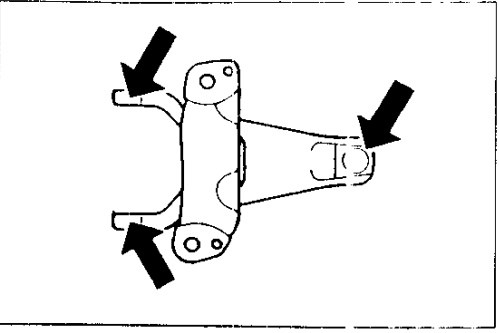
3710-X-54



3710-X-55



3710-X-56



3710-X-57

CLUTCH DISC

INSPECTION

Caution

- **Inspect for wear and damage, and replace if necessary.**

1. Inspect the lining surface for burning or oil contamination. Remove minor scratches or discoloration with sandpaper.
2. Inspect for loose facing rivets and torsion springs. Replace the clutch disc if any are loose.
3. Measure the thickness of the lining at a rivet head on both sides with vernier calipers.

Thickness: 0.3 mm {0.012 in} min.

4. Measure the clutch disc runout with a dial indicator. Replace the clutch disc if runout is excessive.

Runout: 0.6 mm {0.024 in} max.

CLUTCH RELEASE FORK ASSEMBLY

Caution

- **Remove the return spring before inspection.**

INSPECTION

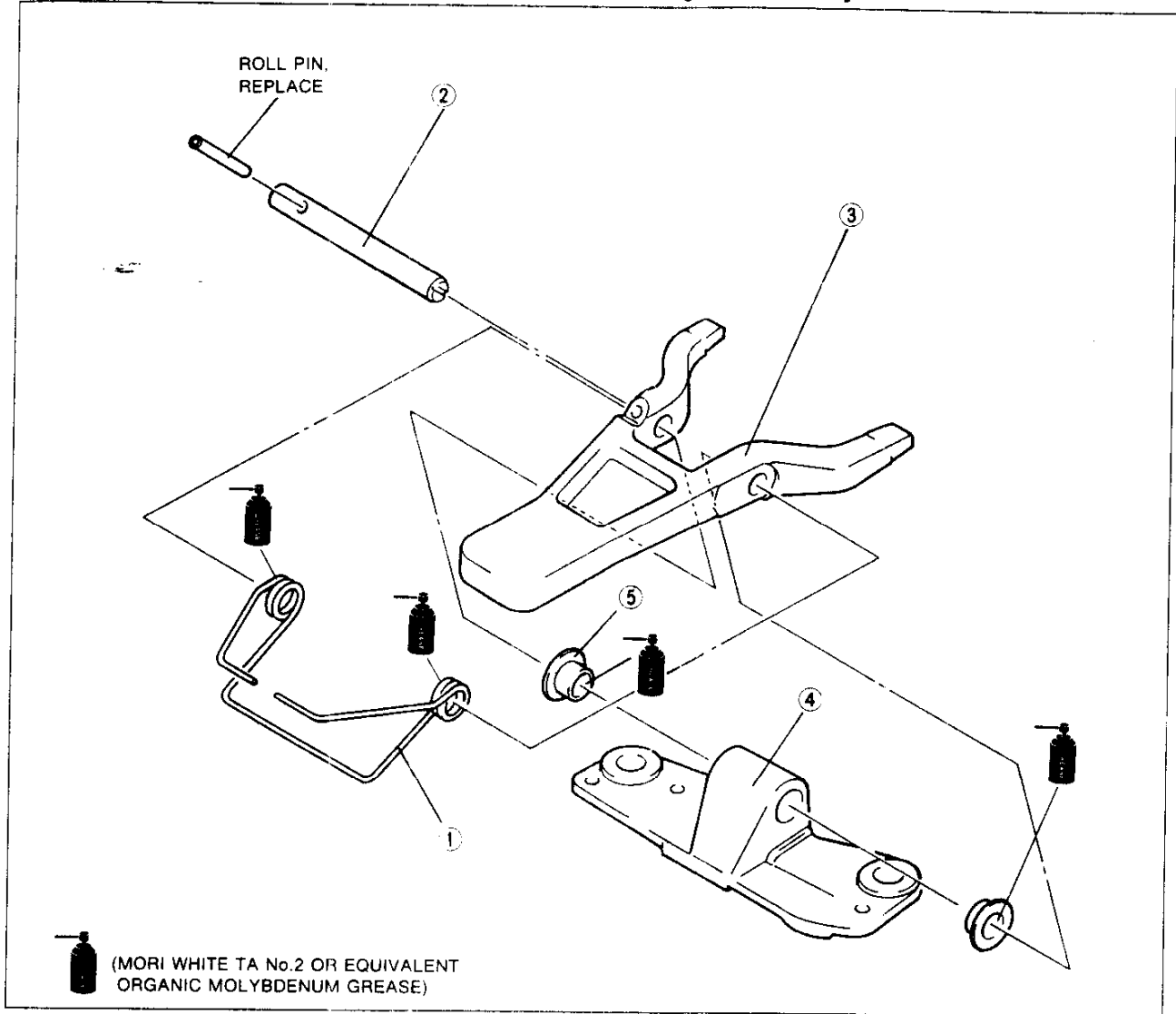
1. Swing the release fork back and forth, and make sure it moves smoothly.
2. Inspect for wear and damage to the push rod contact surface.
3. Inspect for wear and damage to the release collar contact surfaces.
4. Replace parts as necessary.

H

CLUTCH RELEASE FORK ASSEMBLY

OVERHAUL

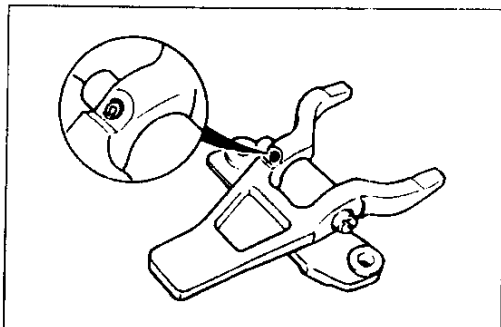
1. Disassemble in the order shown.
2. Inspect all parts and replace as necessary.
3. Assemble in the reverse order of disassembly, referring to **Assembly Note**.



1. Return spring
Inspect for damage and bending
2. Fork shaft
Assembly Note below

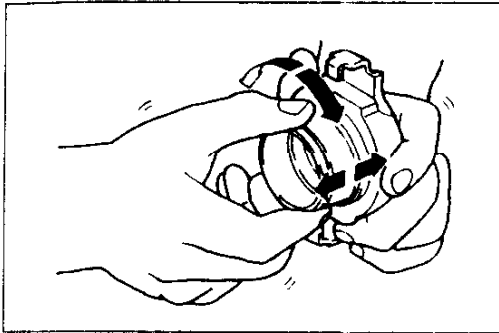
3. Clutch release fork
Inspect for wear and damage
4. Release fork support

5. Bushing
Inspect bushing bore for wear and damage

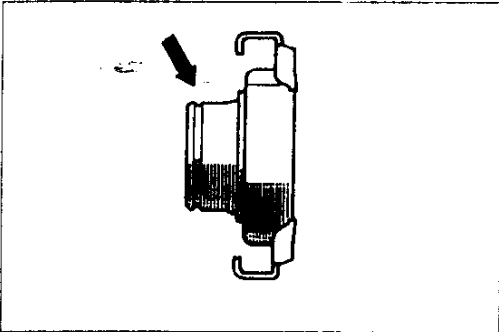


Assembly Note Fork shaft

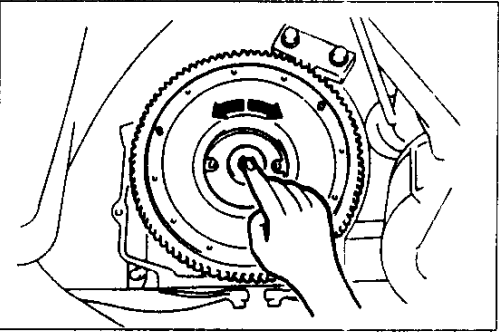
1. Install the roll pin with the split facing as shown.
2. Make sure the roll pin is installed flush with the release fork surface.



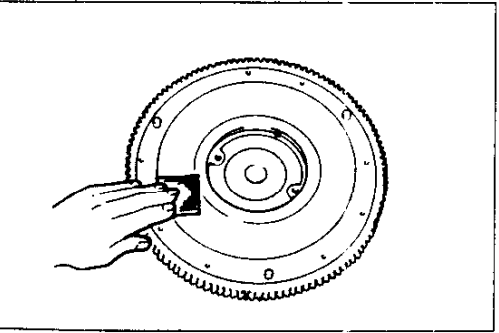
37J0HX-060



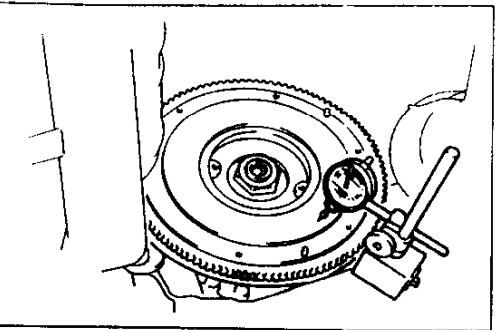
37U0HX-061



37U0HX-062



37U0HX-063



37U0HX-064

CLUTCH RELEASE COLLAR

INSPECTION

Caution

- Inspect for wear and damage, and replace if necessary.
- The clutch release collar is a sealed bearing and must not be washed in solvent or by steam cleaning.

1. Turn the collar while applying force in the axial direction. If the collar sticks or has excessive resistance, replace it.
2. Inspect for wear and damage to the release collar groove.

PILOT BEARING

INSPECTION

Caution

- Inspect for wear and damage, and replace if necessary.

Note

- Inspect the pilot bearing while it is installed in the flywheel.

Inspect the pilot bearing for wear or damage and check rotating condition.

FLYWHEEL

INSPECTION

Caution

- Inspect for wear and damage, and replace if necessary.

Note

- Remove minor scoring or burning with emery paper.

1. Inspect for scoring, cracks, and burning of the flywheel/clutch disc contact surface.
2. Inspect the ring gear teeth for wear and damage.
3. Measure the flywheel runout with a dial indicator. Replace the flywheel if runout is excessive.

Runout: 0.2 mm {0.008 in} max.

